

TMAX-1770-XXX-M M lded P e I d c

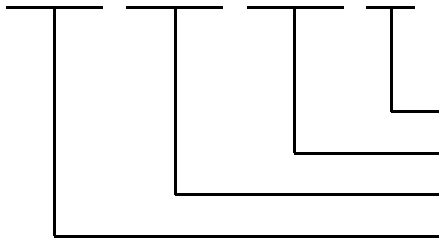
Features

-
-
-
-
-
-

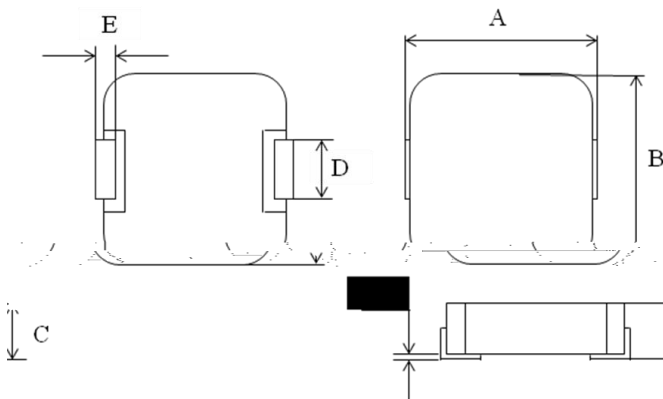
Applications

-
-
-
-
-
-
-

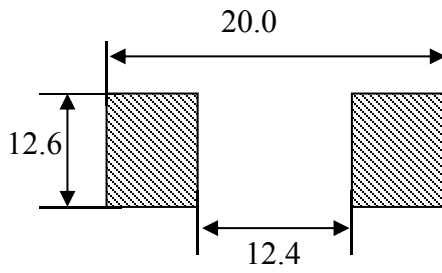
Product Description



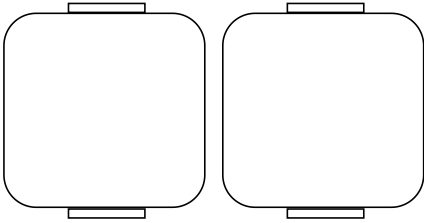
Dimensions



	17.5 Max.
	17.15 Max.
	7.0 Max.
	11.8±0.3
	2.5±0.5
	0~0.30

Recommend Land Pattern Dimensions**Marking**

-
-

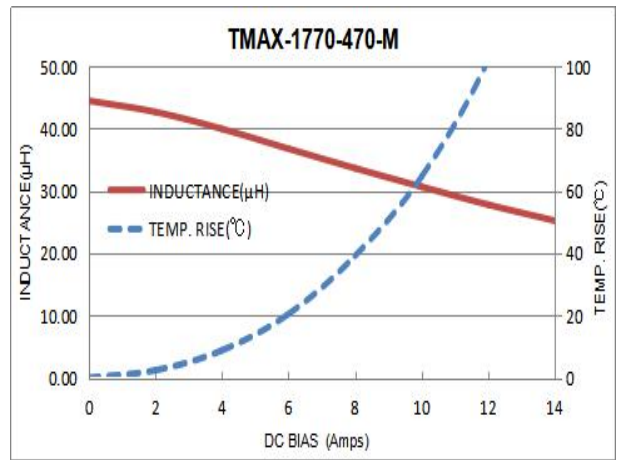
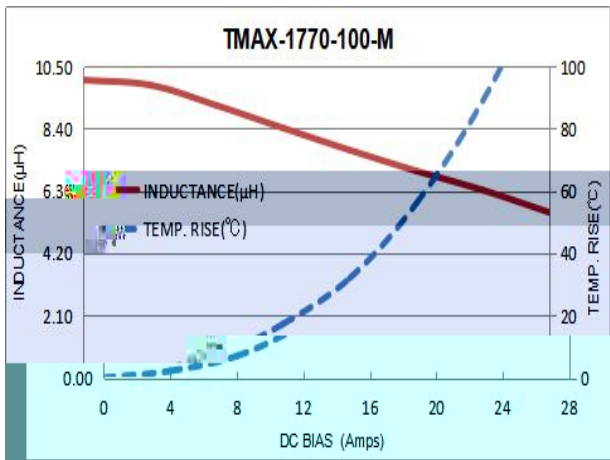
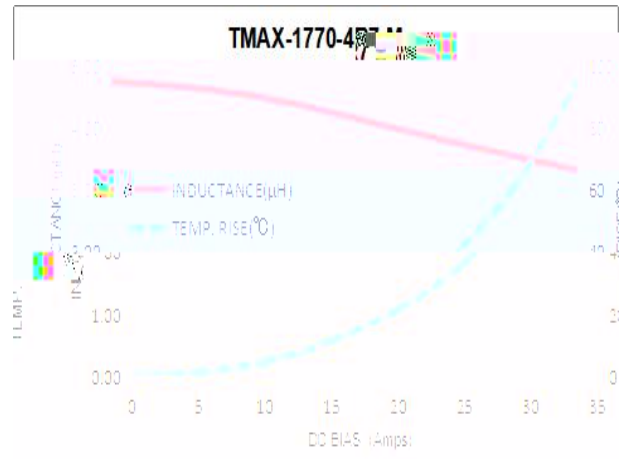
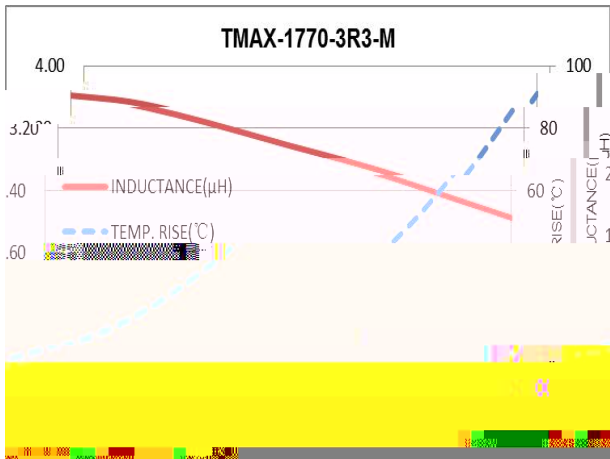


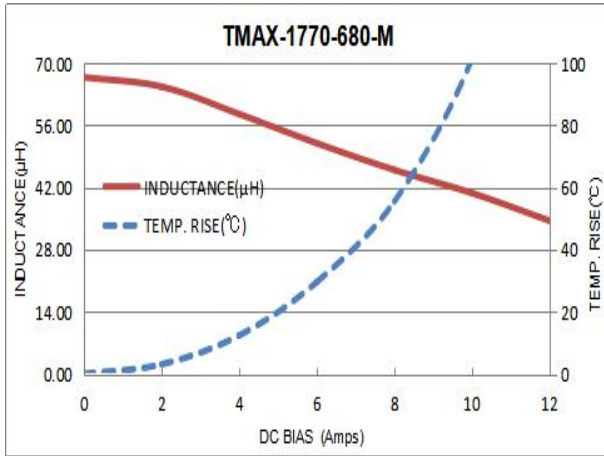
I a : 0.1 H

Notes:

: (),
()

Inductance and Temperature Rise vs. DC Current





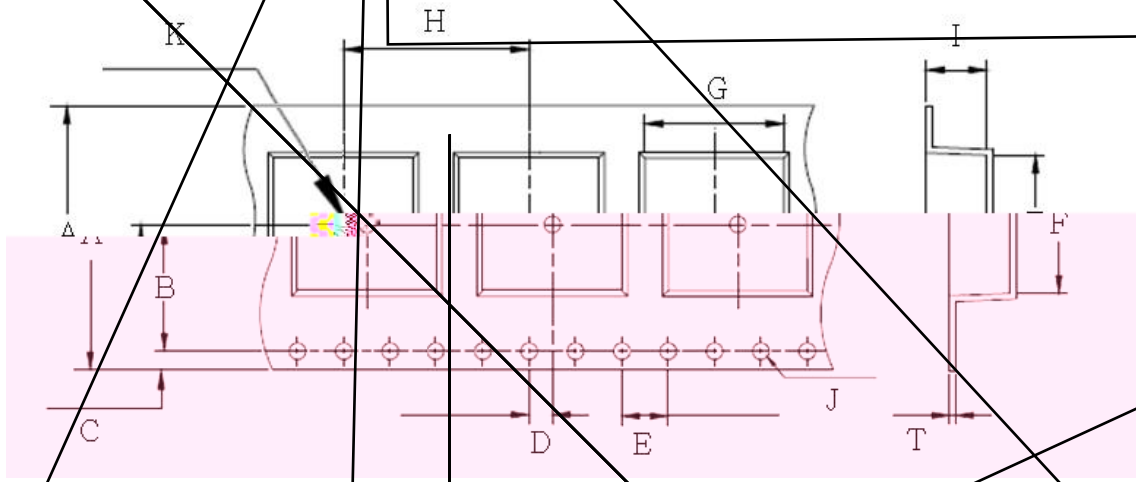
Reliability:

Item	Test Method	Specification and Requirement
	± ± °C ±	
		±

Reliability:

Item	Test Method	Specification and Requirement
	\pm \pm \rightarrow \rightarrow \pm \pm \rightarrow	
	\pm	\pm
	\pm	
	\pm	
	\pm	

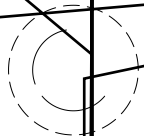
Packaging Dimensions



±	±	±	±	±	±
±	±	±	±	±	±

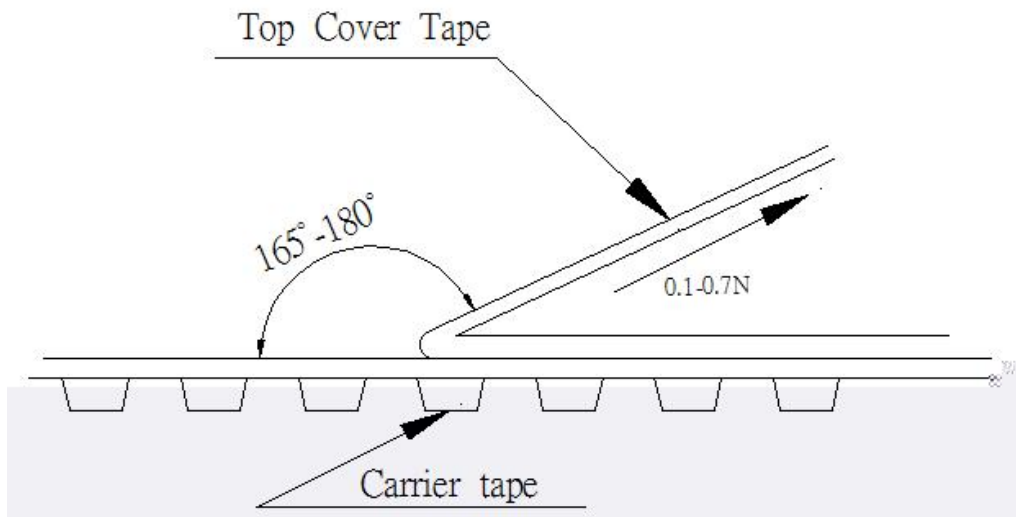
Reel Dimensions

±	±	
---	---	--



Peeling of top cover tape

-
-



Numbers of taping

-

Label marking

-
-

Production Label

- ✓
- ✓
- ✓
- ✓
- ✓

Shipping Label

- ✓
- ✓
- ✓
- ✓
- ✓

Care note for use**➤ Storage Condition****➤ Use Temperature**

- ✓
- ✓

- ✓
- ✓

Care note for Safety